



**vetus**

WWW.VETUS.COM



MANOEUVRING

# BOW PRO SERIES

(R)EVOLUTION IN BOATING



**BRUSHLESS**

VETUS proudly presents the BOW PRO series

- Proportional control
- Unlimited\* run-time
- Brushless motor - no maintenance & ignition protected optional
- Highly efficient (up to 93%)
- Safe & reliable
- Backwards compatible with existing VETUS C & D series bow thrusters
- THE solution for charter vessels



# BOW PRO SERIES

(R)EVOLUTION IN BOATING



## BOW PRO THRUSTER SERIES

(R)Evolution from VETUS: a combination of the renowned electric bow thruster series and the quiet RimDrive. We proudly present the all-new BOW PRO thrusters! Fully-proportional thrusters with unlimited\* run-time, in various models!

- Proportional control
- Unlimited\* run-time
- Brushless motor so no maintenance
- Sealed IP construction - Safe for use in gasoline vessels (with optional fuses)
  - More compact than traditional "boxed" IP rated thrusters
  - Added protection for electrical components even in damp bilge environments
- Highly efficient (up to 93%)
- Easy to install
- Backwards compatible, thus a suitable upgrade from VETUS C & D series thrusters
- The solution for charter vessels

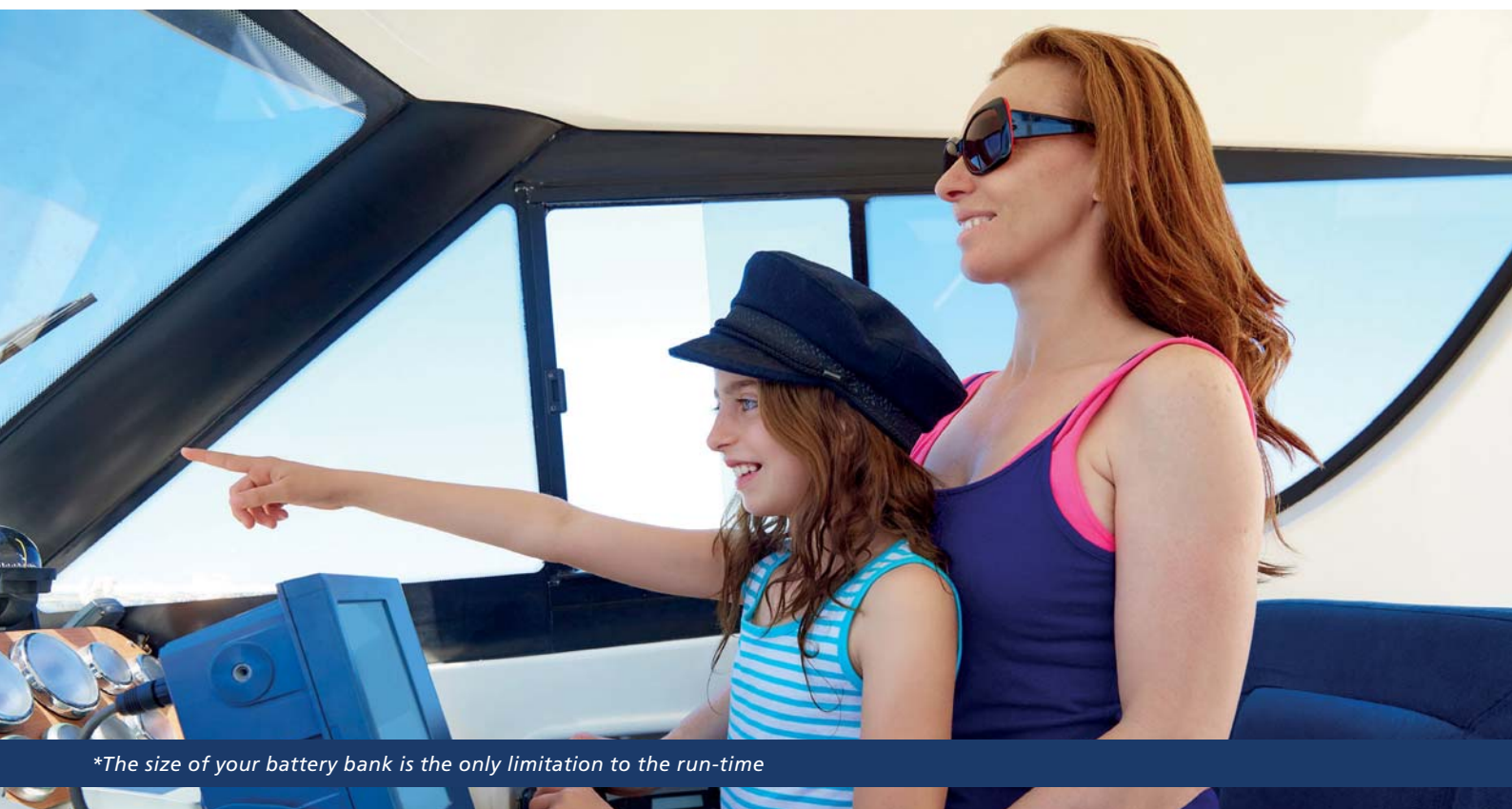


## Revolution

Our BOW PRO thrusters use proven induction motors without carbon brushes. As a result, the bow thruster is very quiet and has unlimited\* run-time! The induction motor is controlled by the VETUS MCV motor controller. This in-house-engineered motor controller can handle both 12 V or 24 V, making the new BOW PRO thruster suitable for almost all boats!

## Evolution

The BOW PRO thruster is controlled by proprietary CANBUS protocol. There are two different panels available for the BOW PRO thruster series; one fully-proportional basic panel (BPPPA) and one fully-proportional panel with lock and hold function for easy docking (BPPJA). This allows the boat to be berthed without the use of ropes. Letting passengers board your vessel has never been this easy! Berthing without crew members is also possible, with the 'lock & hold' function allowing you to tie the ropes yourself. The BOW PRO thrusters use the same streamlined tailpieces and propellers as many conventional Vetus thrusters. Therefore, retrofitting a BOW PRO to replace your existing thruster can be straightforward. Ask your sales representative what you need for updating your current thruster.



\*The size of your battery bank is the only limitation to the run-time





## BOW PRO Series overview

Specifications	BOW PRO 301	BOW PRO 361	BOW PRO 421	BOW PRO 572	BOW PRO 651	BOW PRO 762	BOW PRO 902	>
<b>Product code</b>	BOWA0301	BOWA0361	BOWA0421	BOWA0572	BOWA0651	BOWA0762	BOWA0902	
<b>Thrust, N (kgf)</b>	300 (30)	360 (36)	420 (42)	570 (57)	650 (65)	760 (76)	900 (90)	
<b>Actual Motor Power kW</b>	1,6 kW (12 V)	1,6 kW (12 V)	2,7 kW (12 V)	3,1 kW (24 V)	2,7 kW (12 V)	3,1 kW (24 V)	5,7 kW (24 V)	
<b>Tunnel diameter, internal, mm</b>	110	125	125	150	185	185	185	Larger models under development
<b>Operating time</b>	unlimited*	unlimited*	unlimited*	unlimited*	unlimited*	unlimited*	unlimited*	
<b>Main fuse</b>	ZE200 (200 Amps)	ZE300 (300 Amps)	ZE300 (300 Amps)	ZE200 (200 Amps)	ZE300 (300 Amps)	ZE200 (200 Amps)	ZE200 (200 Amps)	
<b>Compatible with tailpiece of</b>	BOW25xxE**	BOW45xxC & D**	BOW45xxC & D**	BOW35xxC & D** BOW55xxC & D**	BOW60xxC & D BOW95xxC & D	BOW60xxC & D BOW95xxC & D	BOW60xxC & D BOW95xxC & D	

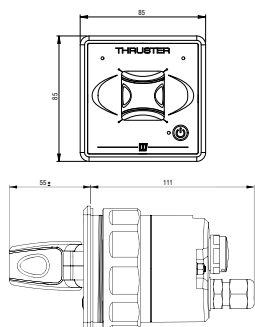
\*\*Flanges need to be replaced with the new model.

## BOW PRO Series Auxiliary items

BOW PRO thrusters are controlled by one of the following panels (available separately). Selecting the correct model depends on your personal preference and needs, as both panels are plug-and-play. See below for the specifications per model. Installing a BOW PRO series thruster also requires CAN cables (BPCABCxxM), a gender changer cable (BPCABCGC), a CAN supply cable (BPCABCPC), a CAN 3 point hub (BPCANHUB) and a CAN termination resistor (BPCANT).

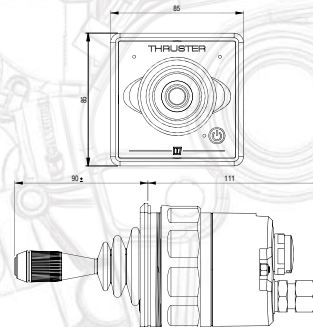
### BPPPA Panel

- Compact design and high quality materials
- Safe and easy proportional control of your vessel
- Aluminium bezel
- Quick installation in Ø 75 mm cut-out hole
- Waterproof housing IP65
- V-CAN CANBUS protocol compliant
- Twin connector for multiple stations
- Status indicator



### BPPJA Panel

- Compact design and high quality materials
- Safe and easy proportional control of your vessel
- Aluminium bezel
- Quick installation in Ø 75 mm cut-out hole
- Waterproof housing IP65
- V-CAN CANBUS protocol compliant
- Twin connector for multiple stations
- Status indicator
- With thruster hold and lock function



\*The size of your battery bank is the only limitation to the run-time

# BOW PRO SERIES

(R)EVOLUTION IN BOATING



## BOW PRO Series compared to..

The technical advantage over existing thrusters are significant when compared with our direct competitors:

Comparison	<b>BOW PRO 301</b>	<b>Sidepower SEP30S</b>	<b>Quick</b>	<b>Maxpower</b>	<b>Lewmar</b>
Thrust, N (kgf)	300 (30)	300 (30)	300 (30)	N/A	280 (28)
Efficiency >90%	✓	No	No	No	No
CANBUS	✓	✓	No	No	No
Proportional	✓	✓	No	No	No
Brushless	✓	No	No	No	No
Operating time	unlimited*	5 min	N/A	N/A	N/A

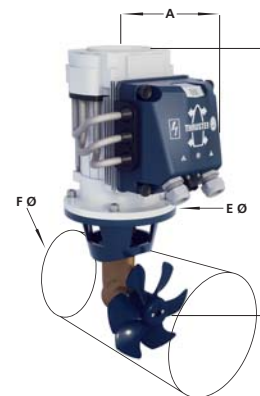


**Unlimited\* run-time, proportional control & silent**

After experiencing our new BOW PRO thrusters you wouldn't choose a conventional thruster again! These the first 7 thrusters are the start of the revolution: the line-up will be expanded during 2018 so keep an eye on our website.

## BOW PRO Series dimensions

Sizes (mm)	BOWA0301	BOWA0361	BOWA0421	BOWA0572	BOWA0651	BOWA0802	BOWA0902
<b>A</b>	210	210	210	210	210	210	282
<b>B</b>	350	358	378	393	413	413	452
<b>E Ø</b>	200	200	200	200	200	200	200
<b>F Ø</b>	110	125	125	150	185	185	185



### 3 year warranty, unique in the market!

All VETUS boat equipment products come with a 3 year warranty. Because of our long experience, careful choice of materials and stringent quality controls, we have the confidence to offer this warranty. For advice, installation and service you can always rely on our worldwide network of VETUS dealers.



\*The size of your battery bank is the only limitation to the run-time

